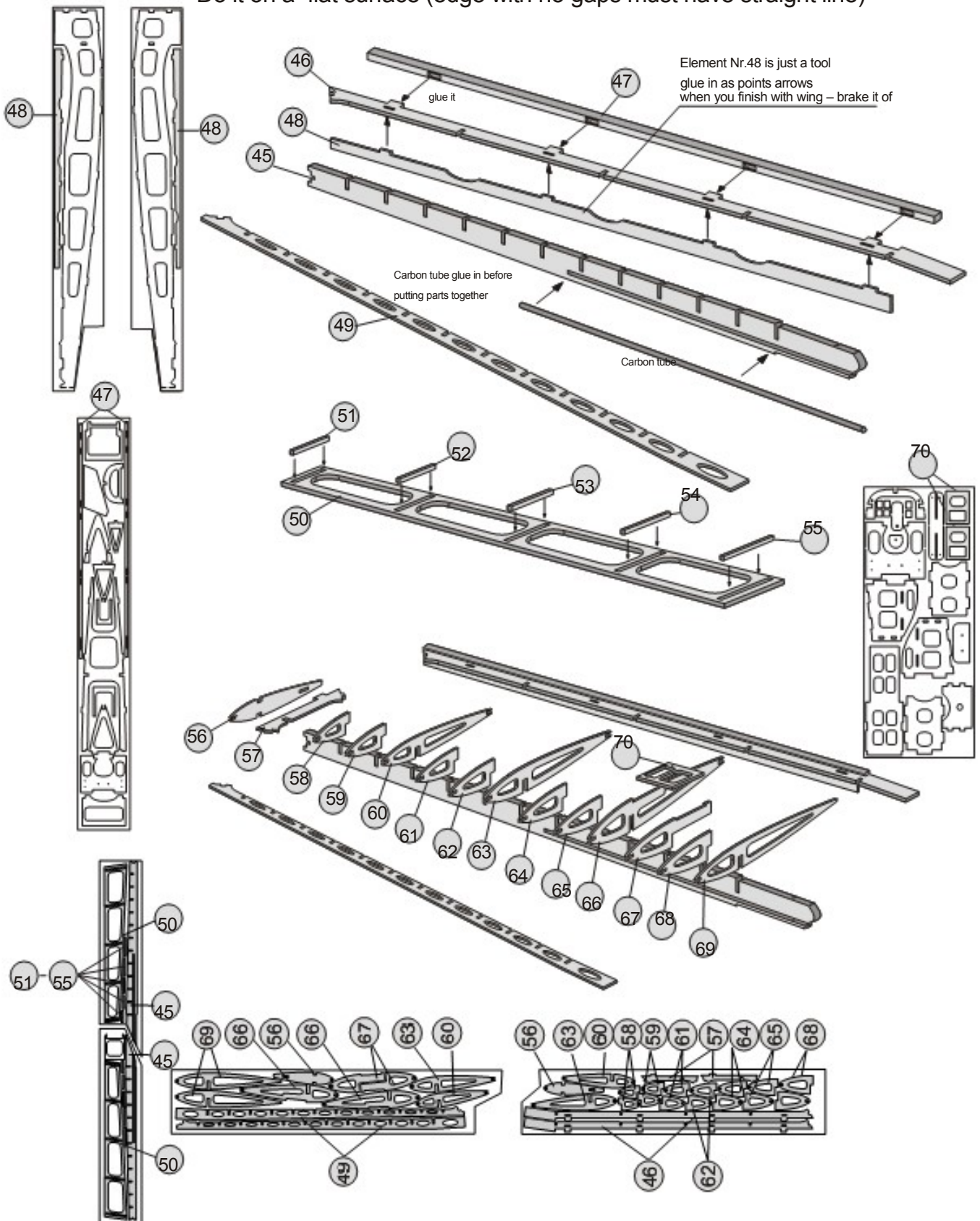


ATTENTION – here is how to build half of the wing – seckond half is MIRROR image .

First glue 2 halves of element 45 together.
Do it on a flat surface (edge with no gaps must have straight line)

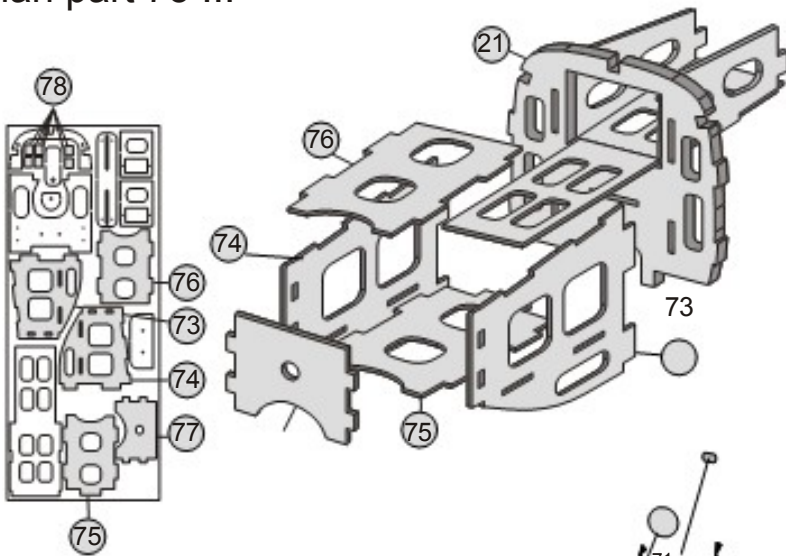
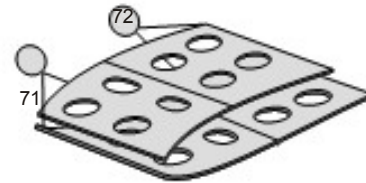
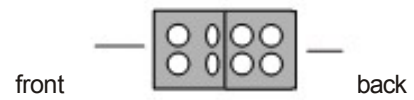


Put all parts together on flat surface – when everything fits – glue it with THIN CA.

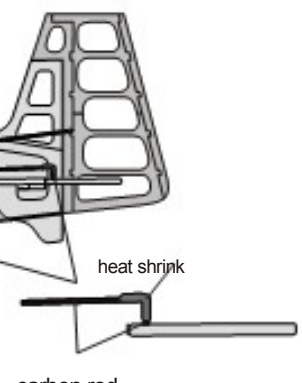
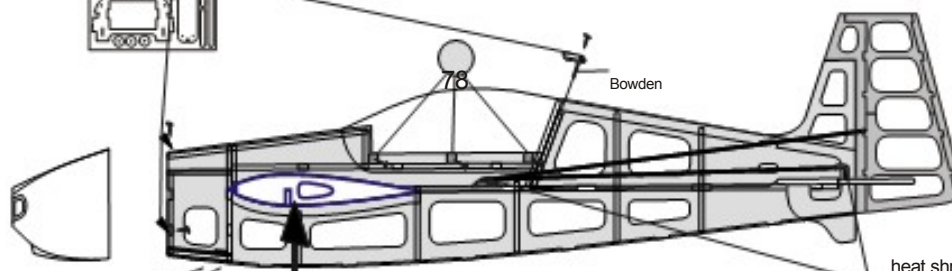
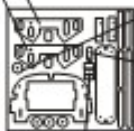
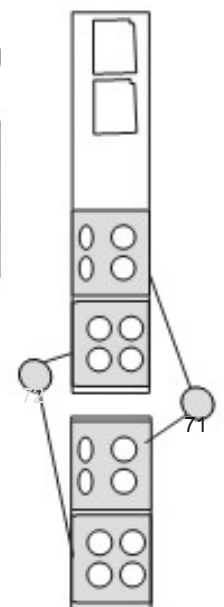
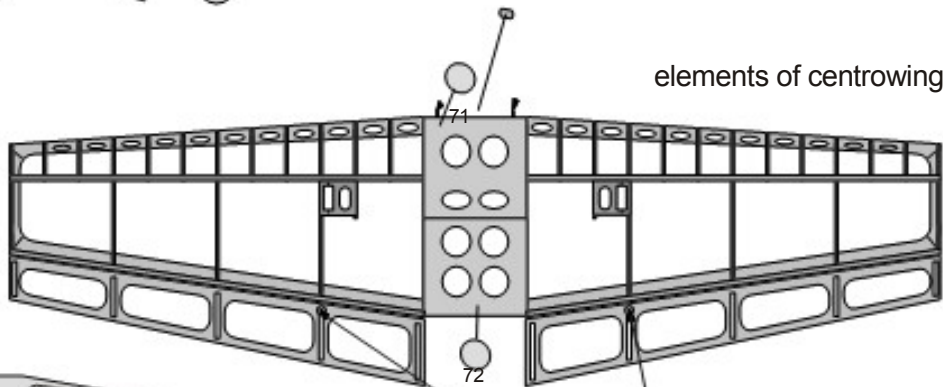
ATENNTION !!
 part 74 is shorter
 than part 73 !!!



Sand from inside (see picture) to increase glueing surface



elements of centrowing



Attention!

For first flight use
 elevator + - 20 deg
 rudder + - 25 deg
 ailerons + - 20 deg

Enjoy building and flying !