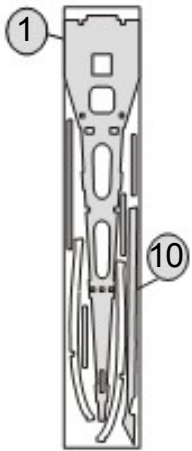




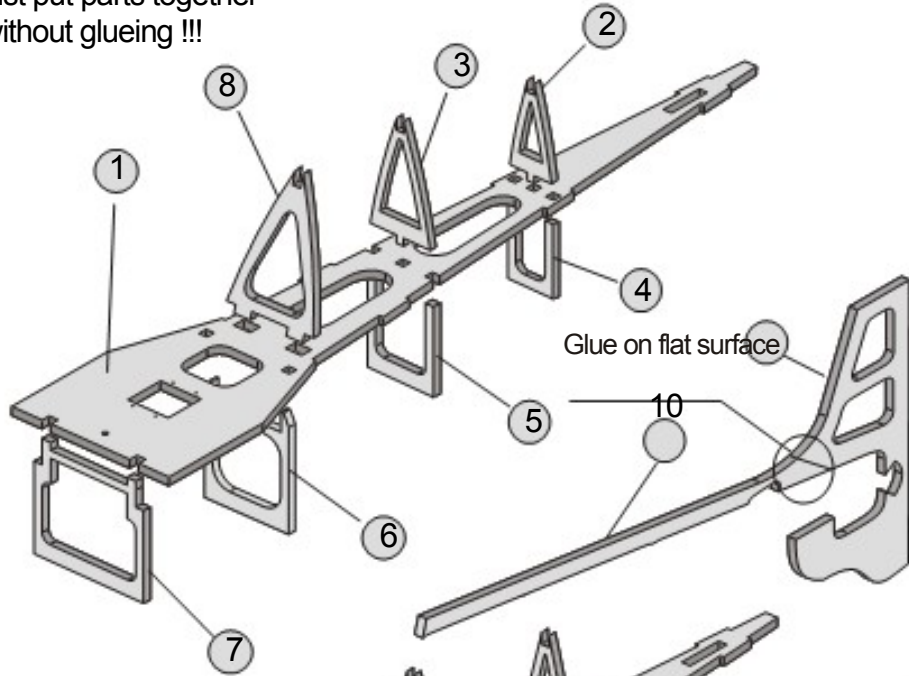
# MANUAL



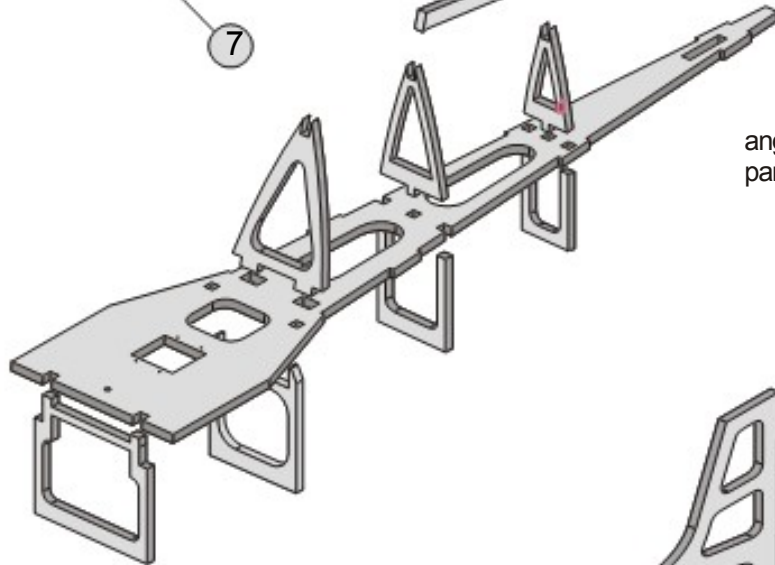
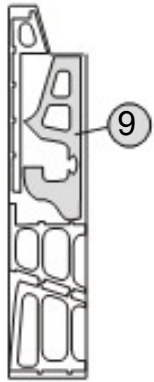
***Please read this manual before building – it will save you a lot of time.***



just put parts together –  
without glueing !!!



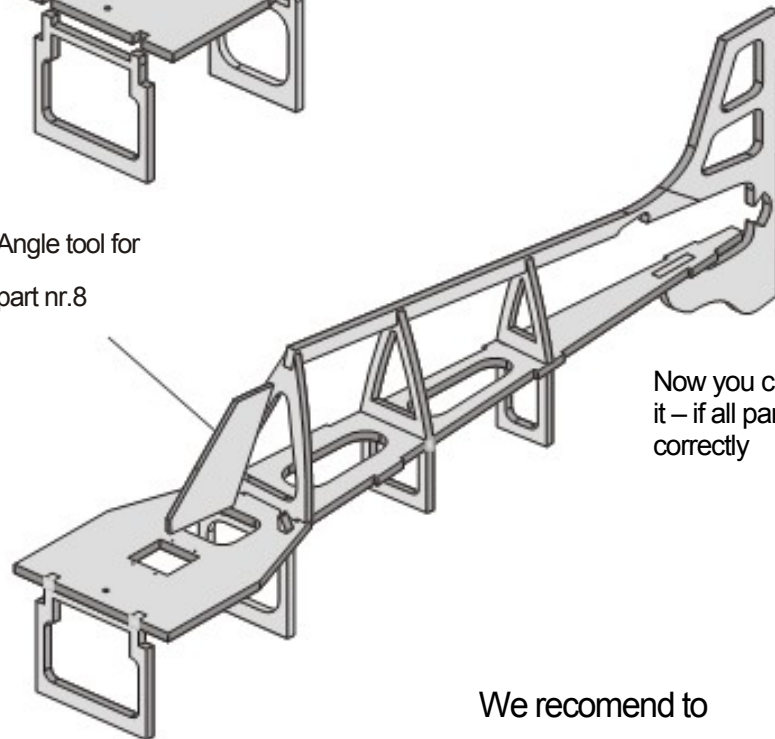
Glue on flat surface



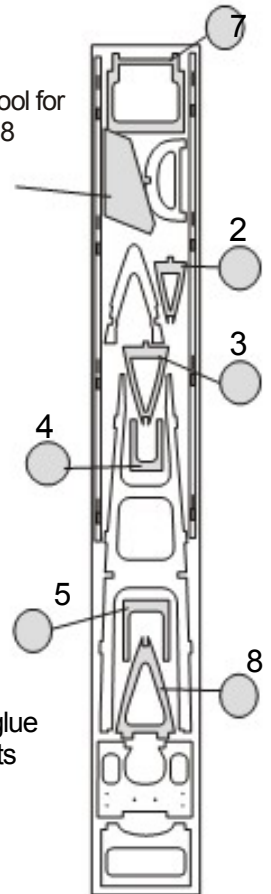
angle tool for  
part nr.8



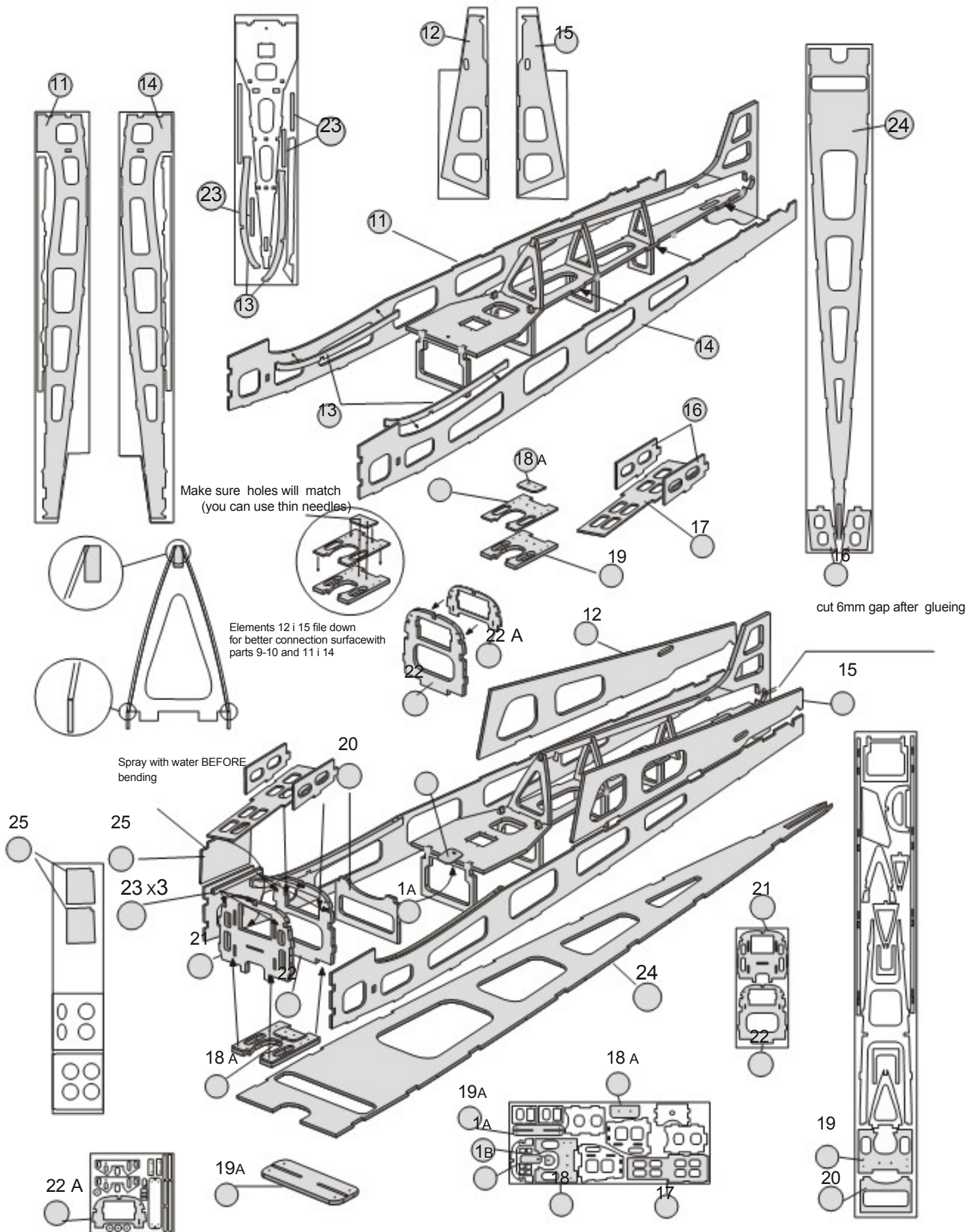
Angle tool for  
part nr.8



Now you can glue  
it – if all parts fits  
correctly



We recomend to  
use THIN CA for glueing.



Make sure holes will match  
(you can use thin needles)

Elements 12 i 15 file down  
for better connection surface with  
parts 9-10 and 11 i 14

Spray with water BEFORE  
bending

cut 6mm gap after glueing

